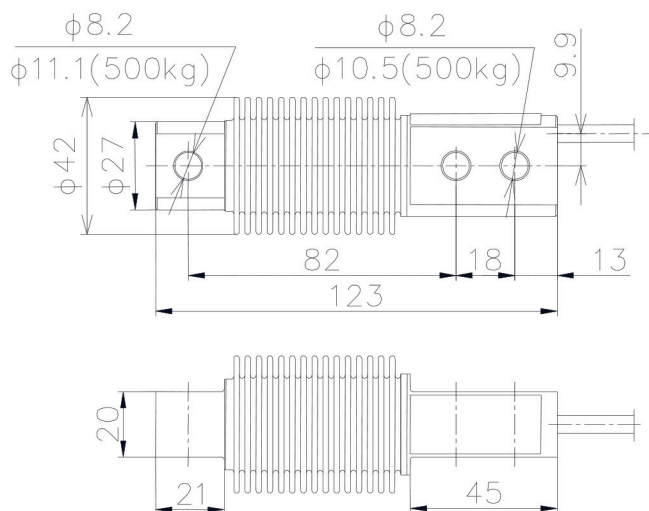




T701



◆ 安装尺寸/Mounting Dimension



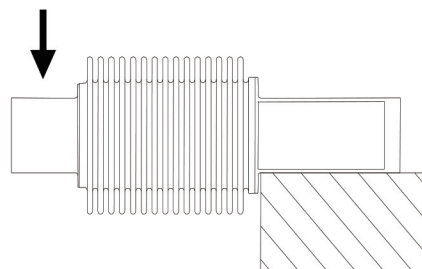
◆ 特点与用途/Features & Applications

- 不锈钢材质，稳定性强
- 适用于各种环境，IP68
- 主要用于包装秤，料斗秤，各种工业称重系统等
- Made of Stainless Steel, Strong stability
- Used in various automated stamping applications, IP68 protection
- Mainly used for packing scales, hopper scale and industrial measuring system

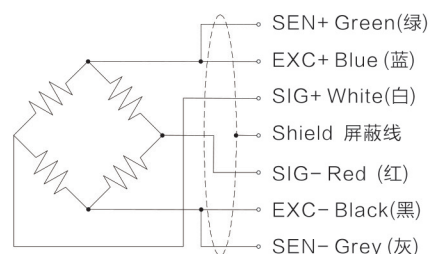
◆ 参数 Specifications 技术指标/Technique

额定容量	Capacity	5, 10, 20, 30, 50, 100, 200, 500 kg
精度等级	Accuracy class	C3
输出灵敏度	Sensitivity	2.0 ± 0.05 mV/V
零点输出	Zero balance	± 2% F.S.
非线性	Non-linearity	0.018% F.S.
滞后	Hysteresis	0.017% F.S.
重复性	Repeatability	0.018% F.S.
蠕变 (30min)	Creep (30min)	0.0166% F.S.
温度灵敏度漂移	Temp. effect on sensitivity	0.008% F.S./10°C
零点温度漂移	Temp. effect on zero signal	0.0125% F.S./10°C
输入电阻	Input resistance	390 ± 5 Ω
输出电阻	Output resistance	350 ± 5 Ω
绝缘电阻	Insulation	≥ 5000 MΩ/100VDC
激励电压	Nominal range of Nominal range of excitation voltage	5~15V
最大激励电压	Maximum Nominal range of excitation voltage	20V
温度补偿范围	Compensated temperature range	-10~40°C
工作温度范围	Operating temperature range	-30~70°C
安全载荷	Safe load limit	150% F.S.
破坏负载	Breaking load	300% F.S.
电缆线尺寸	Cable size	Φ 5.4 × 1500mm
单件重量	Weight approx.	0.5kg
材料	Material	Stainless Steel (不锈钢)
防护等级	IP Class	IP68

◆ 受力方式/Load Direction



◆ 配线图/Wiring Code



新产品

压向传感器

拉压向传感器

压电力传感器

多维力传感器

称重传感器

张力传感器

螺纹力

扭矩传感器

其它定制力传感器

称重模块

仪表模块放大器