

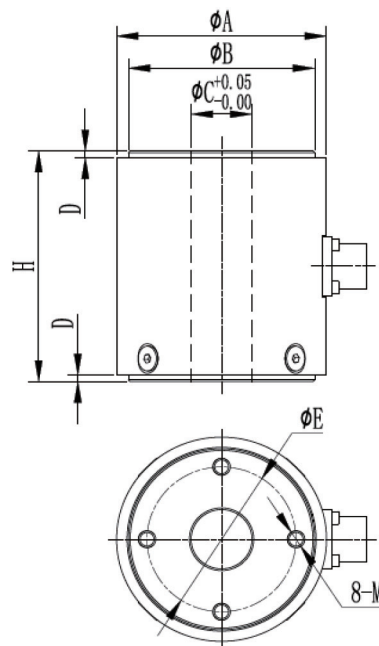
R153D



◆ 特点与用途/Features & Applications

- 高度低, 变形量小
- 不锈钢材料
- 防护等级IP66, 可定制
- 汽车压装、各种材料试验机, 自动化组装、3C产品测试、新能源产品组装、医疗检测、机器人领域, 模具组装及其他工业测试、测量及控制系统
- 动态响应频率高
- Miniature load cell, low profile, small deflection
- Made of stainless steel
- IP66 protection, customizablen
- Mainly used for automotive press fit, automated assembly, 3C products testing, new energy product assembly, medical testing, robotics, mold assembly and other industrial testing and control system
- High dynamic response frequency

◆ 安装尺寸/Mounting Dimension

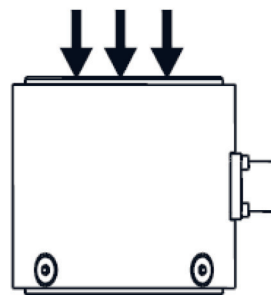


| Cap (kN) | A | B | C | D | E | H | M |
|-----------------|----|----|----|---|----|----|---------|
| 5 | 40 | 35 | 10 | 1 | 24 | 50 | M4deep8 |
| 10,20,30,50,100 | 62 | 55 | 18 | 2 | 44 | 70 | M5deep8 |

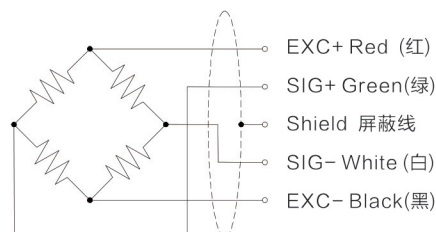
◆ 参数 Specifications 技术指标/Technique

| | | |
|------------|-----------------------------|-----------------------|
| 额定容量 | Capacity | 5,10,20,30,50,100kN |
| 输出灵敏度 | Sensitivity | 1.0 ± 20% mV/V |
| 零点输出 | Zero balance | ± 0.05 mV/V |
| 非线性 | Non-linearity | 0.2% F.S. |
| 滞后 | Hysteresis | 0.2% F.S. |
| 重复性 | Repeatability | 0.1% F.S. |
| 蠕变 (30min) | Creep(30min) | 0.1% F.S. |
| 温度灵敏度漂移 | Temp.effect on output | 0.05% F.S./10°C |
| 零点温度漂移 | Temp.effect on zero | 0.05% F.S./10°C |
| 输入电阻 | Input impedance | 780 ± 20 Ω |
| 输出电阻 | Output impedance | 700 ± 10 Ω |
| 绝缘电阻 | Insulation | ≥ 5000 MΩ/100VDC |
| 激励电压 | Recommended excitation | 5~15V |
| 最大激励电压 | Maximum excitation Voltage | 20V |
| 温度补偿范围 | Compensated temp range | -10~60°C |
| 工作温度范围 | Operating temperature range | -20~80°C |
| 安全载荷 | Safe load limit | 150% F.S. |
| 破坏负载 | Breaking load | 200% F.S. |
| 电缆线尺寸 | Cable size | Φ5 × 4000mm |
| 材料 | Material | Stainless Steel (不锈钢) |
| 防护等级 | IP Class | IP66 |

◆ 受力方式/Load Direction



◆ 配线图/ Wiring Code



新产品

压向传感器

拉压向传感器

压电力传感器

多维力传感器

称重传感器

张力传感器

螺紋力

扭矩传感器

其它定制力传感器

称重模块

仪表模块放大器